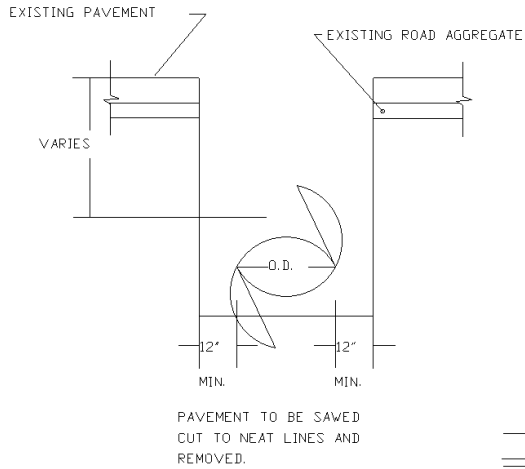
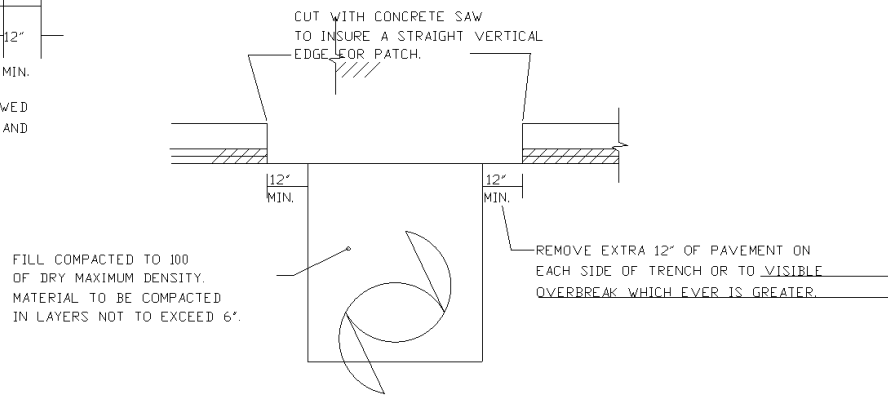


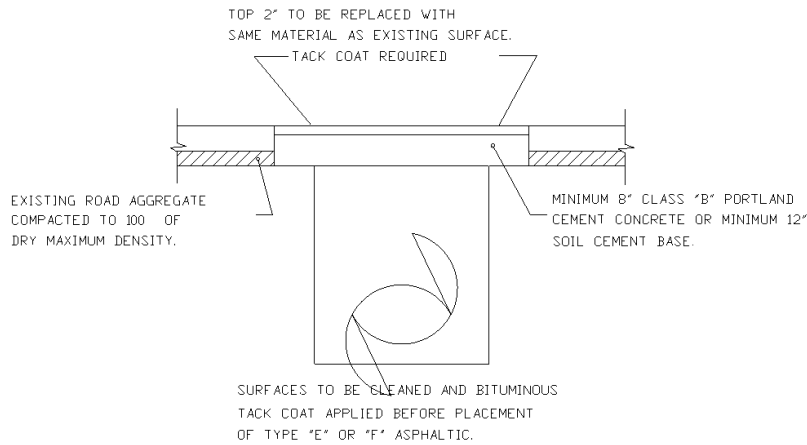
STAGE
(1)



STAGE
(2)



STAGE
(3)



WHITE COUNTY WATER AUTHORITY

DATE:	12 FEBRUARY 2002	DETAIL TITLE:	DETAIL NO.
SCALE:	N.T.S.	TYPICAL ASPHALT REPLACEMENT	28.1
DRAWN BY:	SRD		