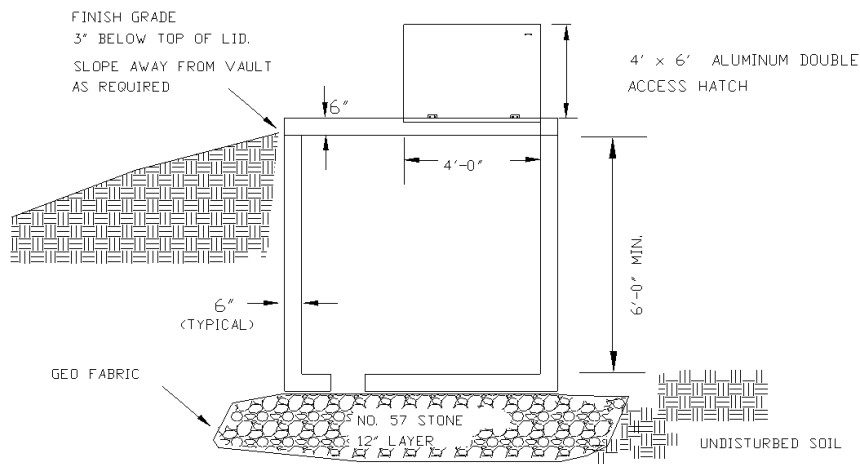


PLAN VIEW



SECTION VIEW

WHITE COUNTY WATER AUTHORITY

| | | | |
|-----------|------------------|--|------------|
| DATE: | 12 FEBRUARY 2002 | DETAIL TITLE: | DETAIL No. |
| SCALE: | N.T.S. | COMBINATION METER VAULT AND LID(CONCRETE) | 17.1 |
| DRAWN BY: | NER | | |