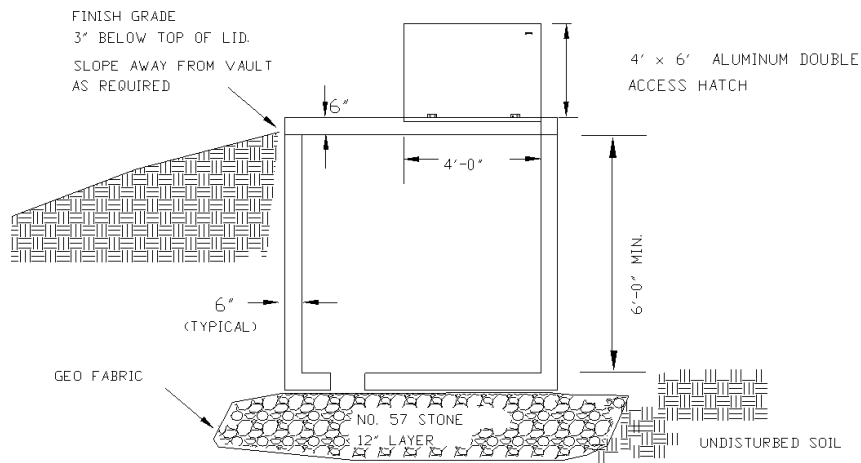


PLAN VIEW



SECTION VIEW

WHITE COUNTY WATER AUTHORITY

DATE:	12 FEBRUARY 2002	DETAIL TITLE:	DETAIL No.
SCALE:	N.T.S.	FIRE METER VAULT AND LID(CONCRETE)	15.1
DRAWN BY:	NER		